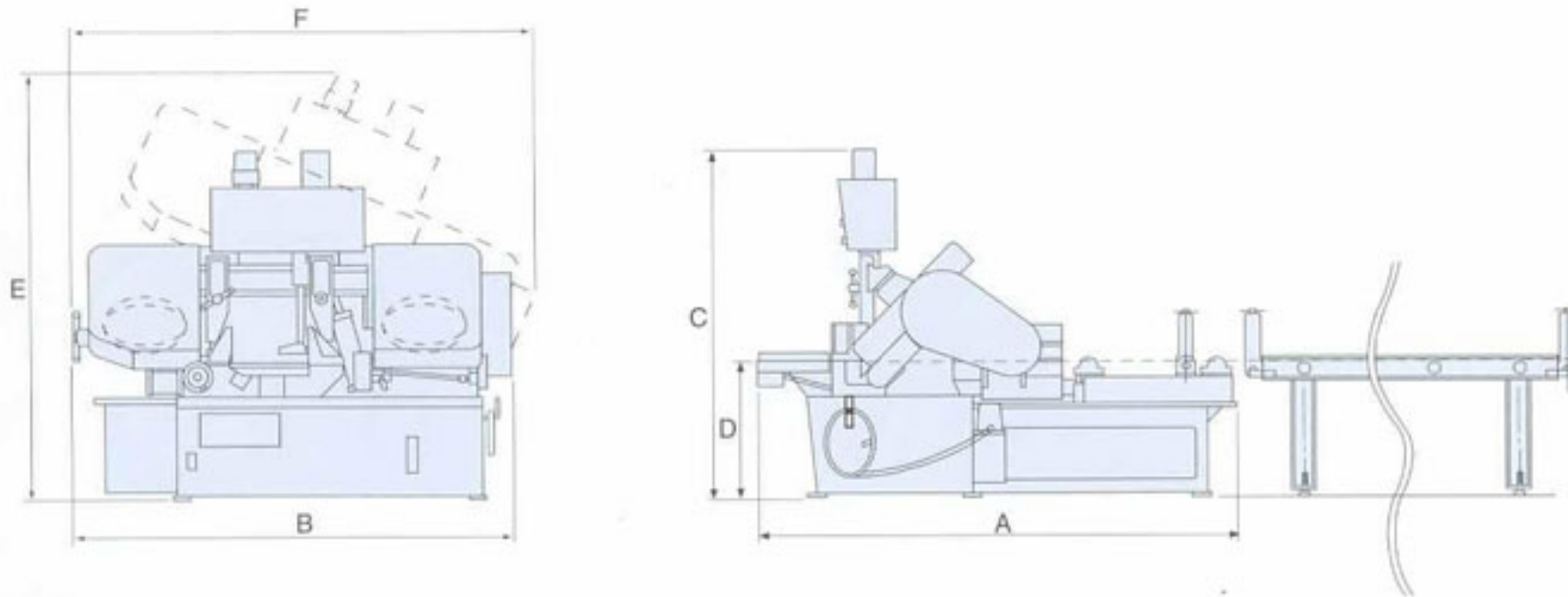


## SPECIFICATIONS

MODEL		CB-250A	CB-250W	CB-330A	CB-330W
CAPACITY (mm)	●	$\phi$ 250		$\phi$ 330	
	■	250		300	
	■	300W x 175H		350W x 250H	
	▲	W115~180 H50~140		W135~220 H40~170	
BLADE SIZE (mm)		3505 x 25 x 0.9	3505 x 32 x 1.06	3820 x 25 x 0.9	3820 x 32 x 1.06
BLADE SPEED		27. 40. 54. 68. 80 M/min			
FEED LENGTH		SINGLE: 400mm MULTIPLE: 3600mm (9 times maximum)			
MOTOR POWER	BLADE	2.2KW (3HP)		3.7KW (5HP)	
	HYDRAULIC	0.75KW (1HP)			
	COOLANT	0.1KW (1/8HP)			
FLOOR SPACE (L×W×H)		1937 x 1760 x 1420		1937 x 1918 x 1370	
MACHINE WEIGHT		1200kg		1450kg	

※ We reserve the right of improving the specifications without prior notice.

## DIMENSIONS



Unit: mm

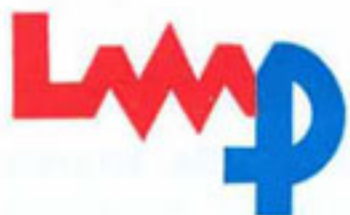
	A	B	C	D	E	F
CB-250A / CB-250W	1937	1760	1420	550	1720	1850
CB-330A / CB-330W	1937	1918	1370	600	1820	2008

## STANDARD ACCESSORIES

- Tool box with tools 1set
- Stock feed track(2M) 1set
- Wire brush 3pcs
- Blade 1pc
- Bundle attachment 2set
- Work light 1set

## EXTRA ACCESSORIES

- Infinitely variable blade speed (20-100 M/min)
- Chip conveyor
- Single roller stock support
- Beacon warning light



林寶機械貿易私人有限公司

LIM POH MACHINERY TRADING PTE LTD

NO. 111, UBI AVE 4, CIVIC TERRACE WAREHOUSE, SINGAPORE 408761.

E-mail: enquiry@limpoh.com Website: <http://www.limpoh.com>

TEL: 846 1138 FAX: 841 2832 H/P: 9788 0138