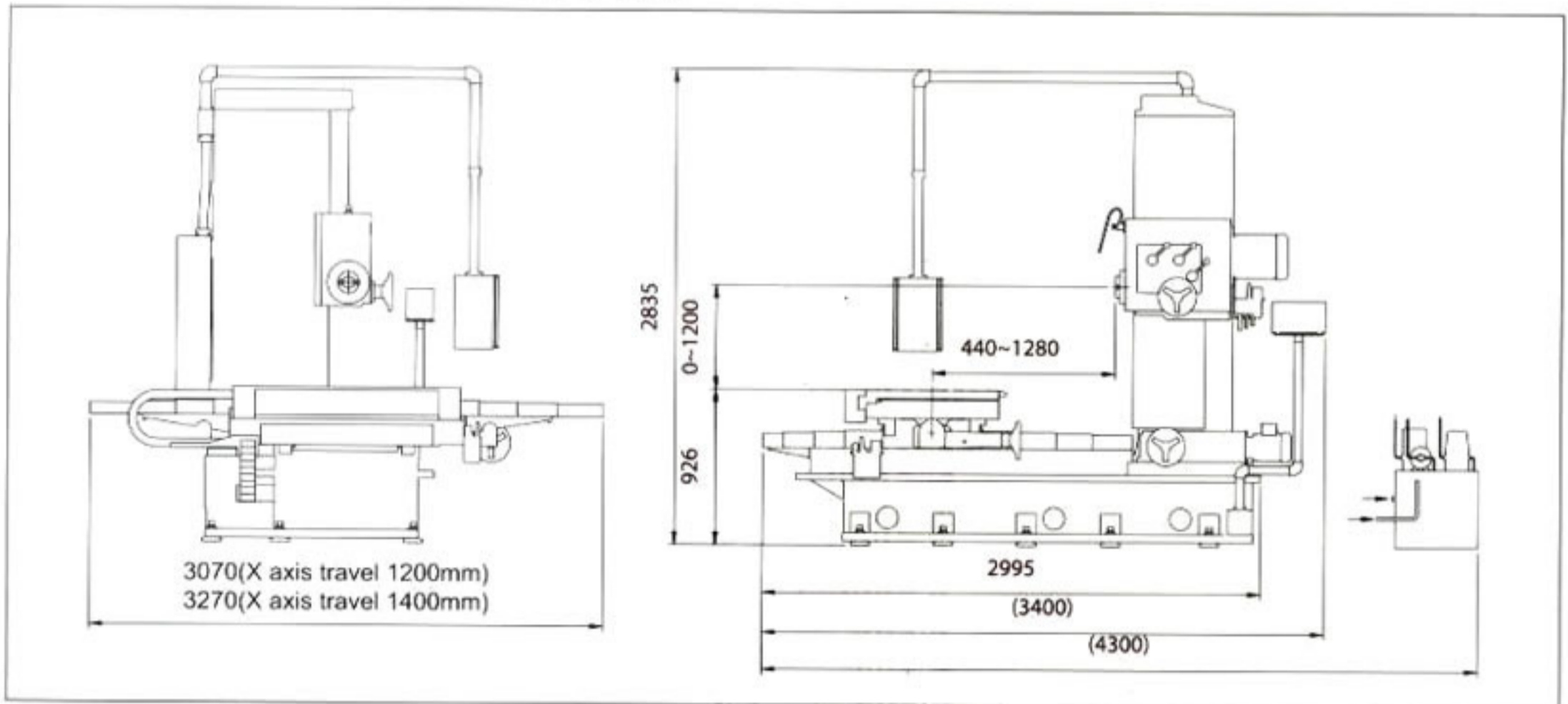
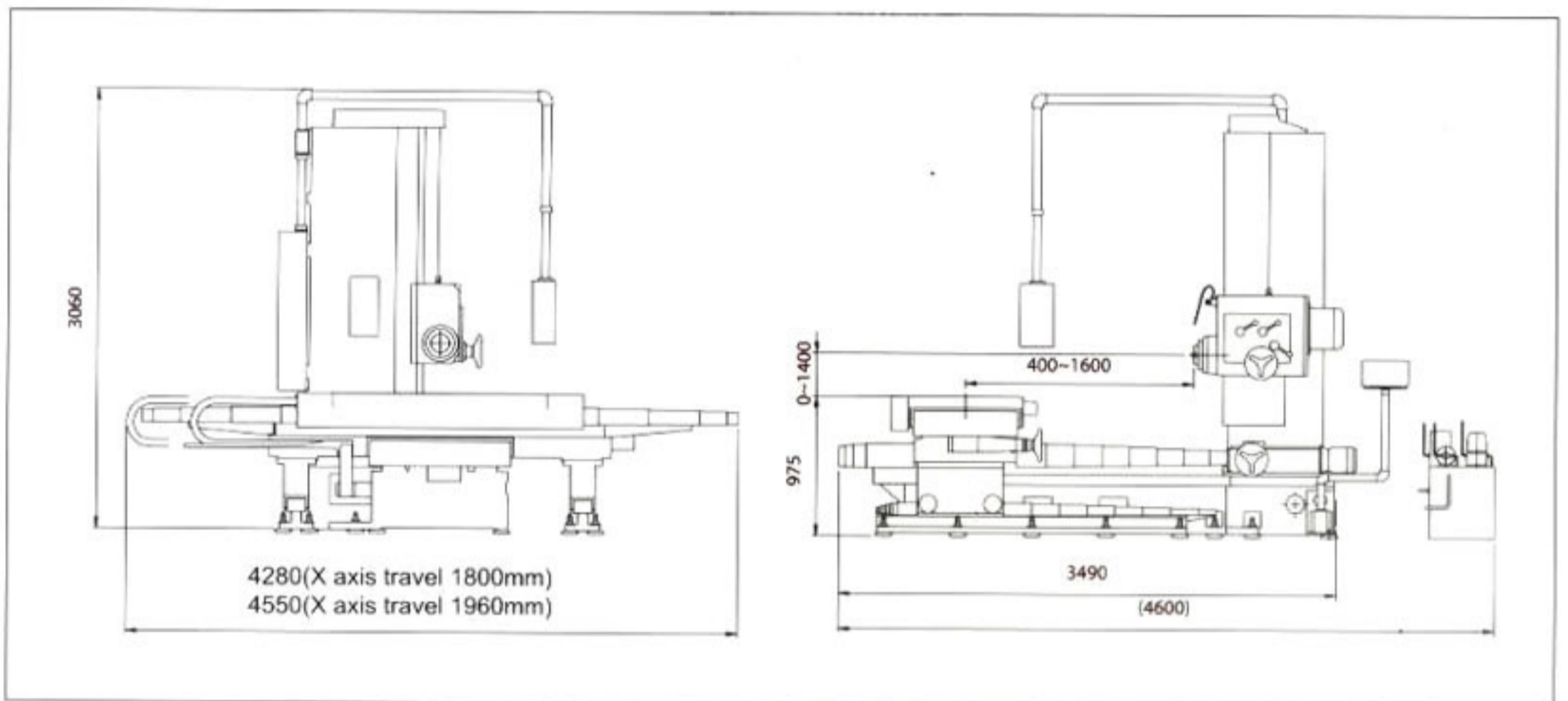


## SHM Series

### ● Machine Dimension SHM-1200 / 1400



### ● Machine Dimension SHM-1800 / 1960



### ● Standard Accessories:

- Hydraulic pump.
- Cycle lubrication pump system.  
(Included: coolant, head stock, guide lubrication)
- Adjusting tools kit.
- Index table 600x600 mm / 72D. (SHM-1200/1400)
- Index table 700x700 mm / 72D. (SHM-1800/1960)
- Linear scale & display.
- Air clamping device.
- Tapping.

### ● Special Accessories:

- Index table 700x700 mm / 72D.
- 800x800 mm / 72D.
- Spindle shaft additional length 100 mm.
- Indexing table 360D.