

堅持打造
高精度 · 高品質 · 高鋼性臥式搪床

INSIST MAKING
HIGH ACCURACY, HIGH QUALITY, HIGH RIGID
HORIZONTAL BORING MACHINE

全自動操作

主軸自製率高達100%

適合模具加工使用

高加工效率

FULLY AUTO OPERATION

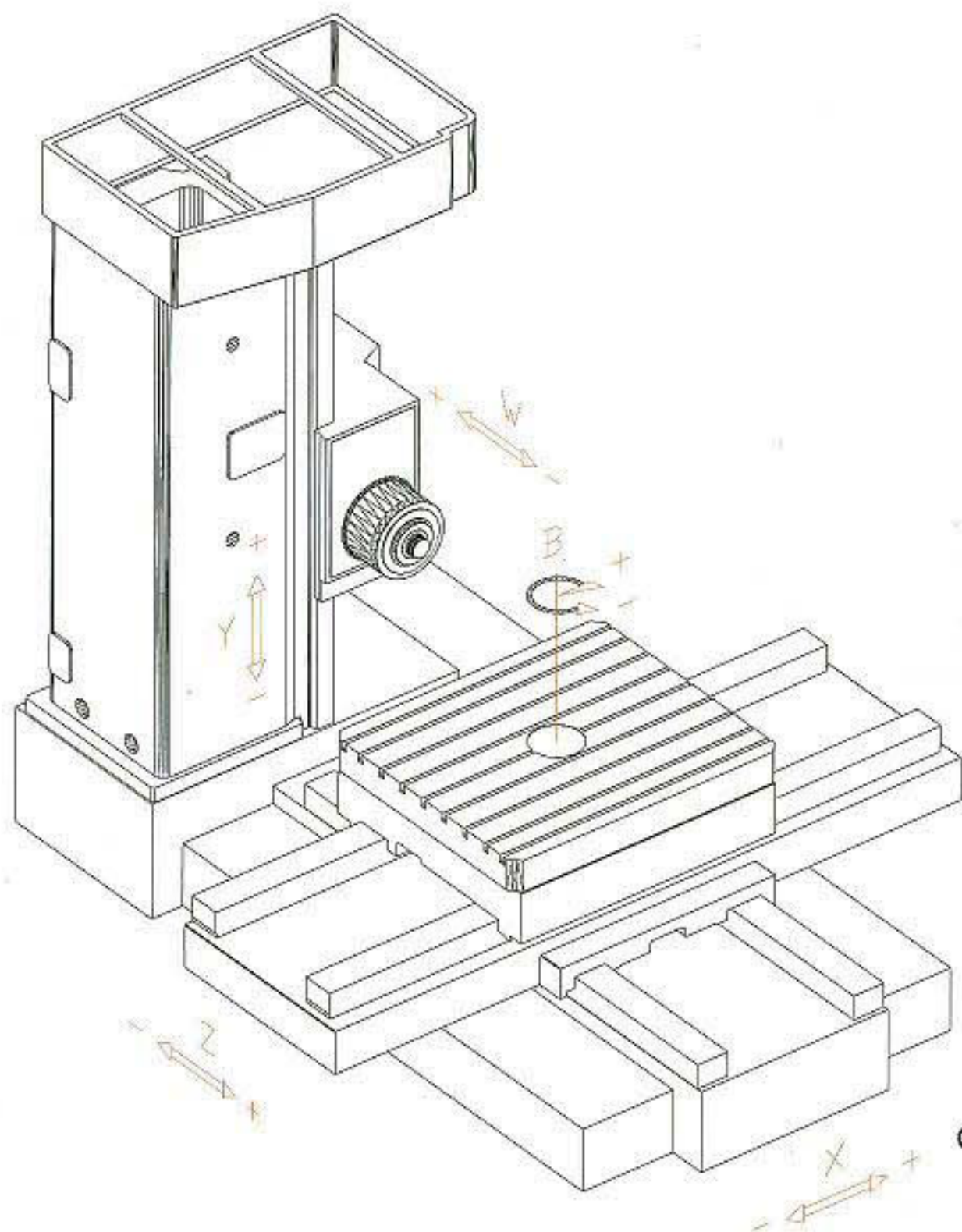
SPINDLE 100% SELF-MADE

BEST FOR MOLD INDUSTRY

HIGH WORKING EFFICIENCY

TABLE TYPE (FIXED COLUMN TYPE): CBA-R

T TYPE (MOVING COLUMN TYPE): CBA-TR, CBA-T



CBA-R Axes direction

CBA-110R3

