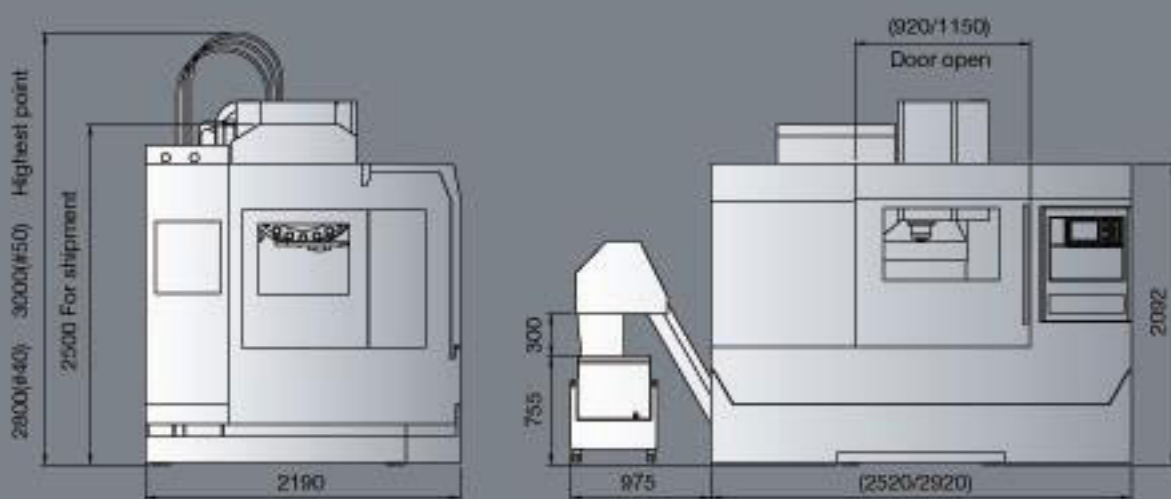


IN-HOUSE MODERN MANUFACTURING FACILITIES

We have OKUMA 5-face machining center TOYODA ,TOSHIBA ,MITSUBI SEIKI Horizontal machining centers with pallet changers,OKUMA CNC lathes,Wanar ,OKUMA and TOYODA CNC grinders for building the best machines ,whole critical and precision parts are done in house.



MACHINE DIMENSION



Unit : mm
(MCV850/1100)