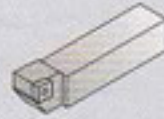


Tooling system

- 25x25 (8-Station turret)
- 20x20 (12-Station turret)



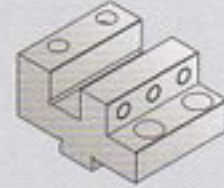
OD tool clamber



- 25x25 (8-Station turret)
- 20x20 (12-Station turret)



Facing tool holder

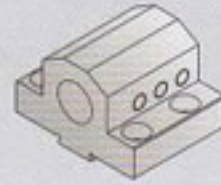


- ø6
- ø8
- ø10
- ø12
- ø16
- ø20
- ø25



Socket

ø32 Boring bar tool holder



- MT#1
- MT#2
- MT#3



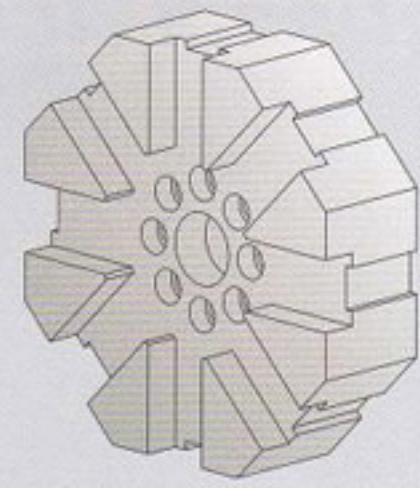
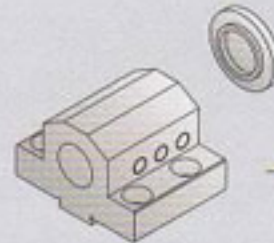
Socket

- ø6
- ø8
- ø10
- ø12
- ø16
- ø20
- ø25

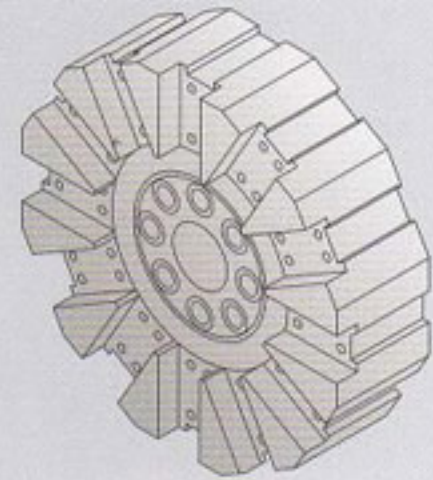


Socket

ø32 U-Drill tool holder



8-Station turret

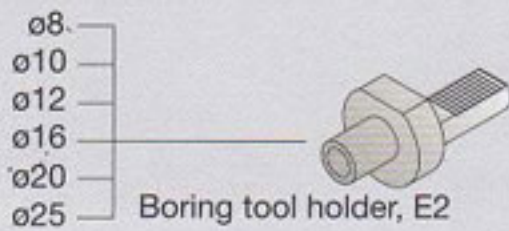


12-Station turret

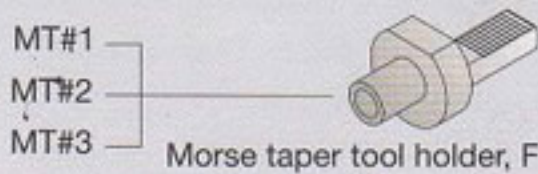
VDI 30 Servo turret



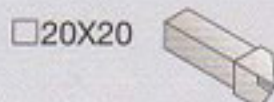
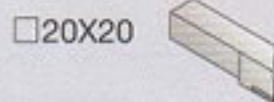
U-drills tool holder, E1



Boring tool holder, E2



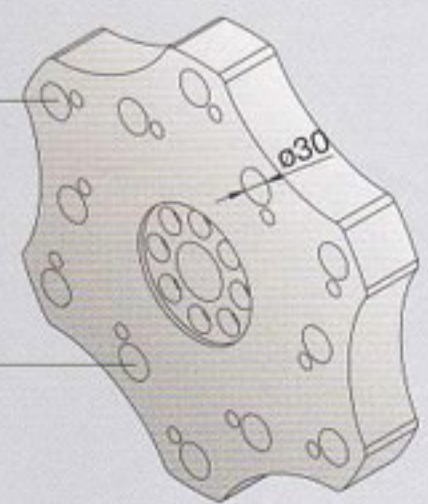
Morse taper tool holder, F



R/H radial tool holder, B3



R/H radial tool holder, B1



12-station VDI 30 turret