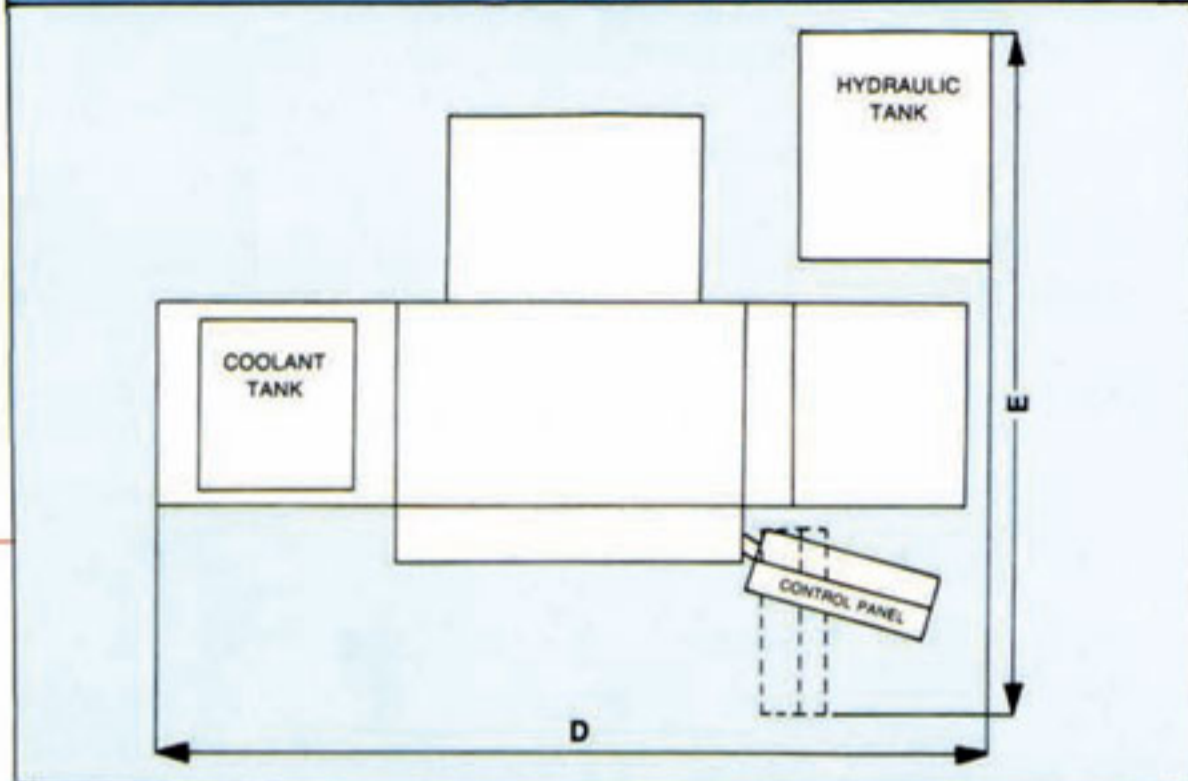
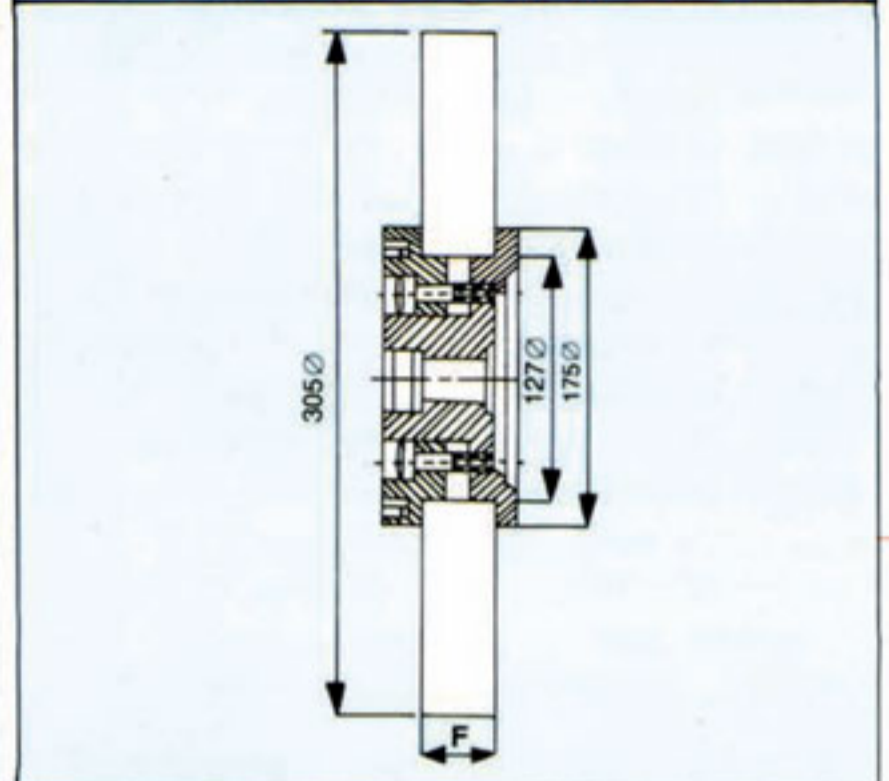


# HIGH PRECISION SURFACE GRINDING MACHINE

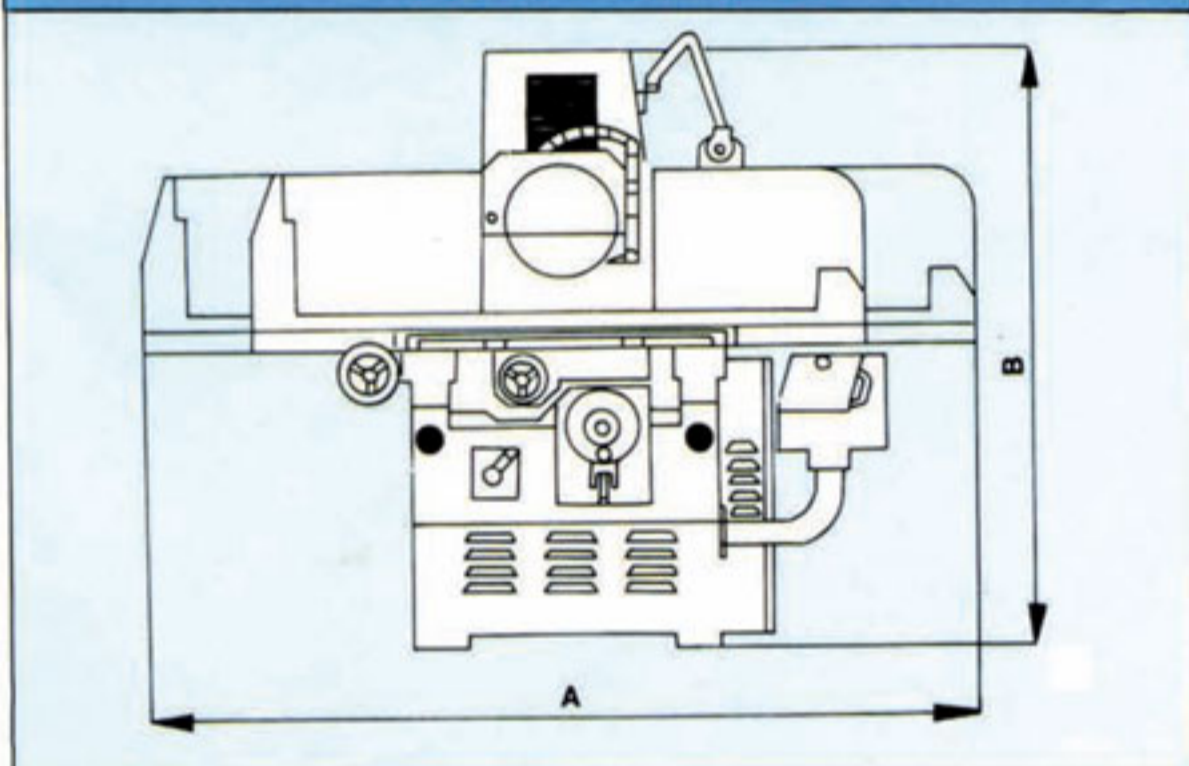
## TOP VIEWS



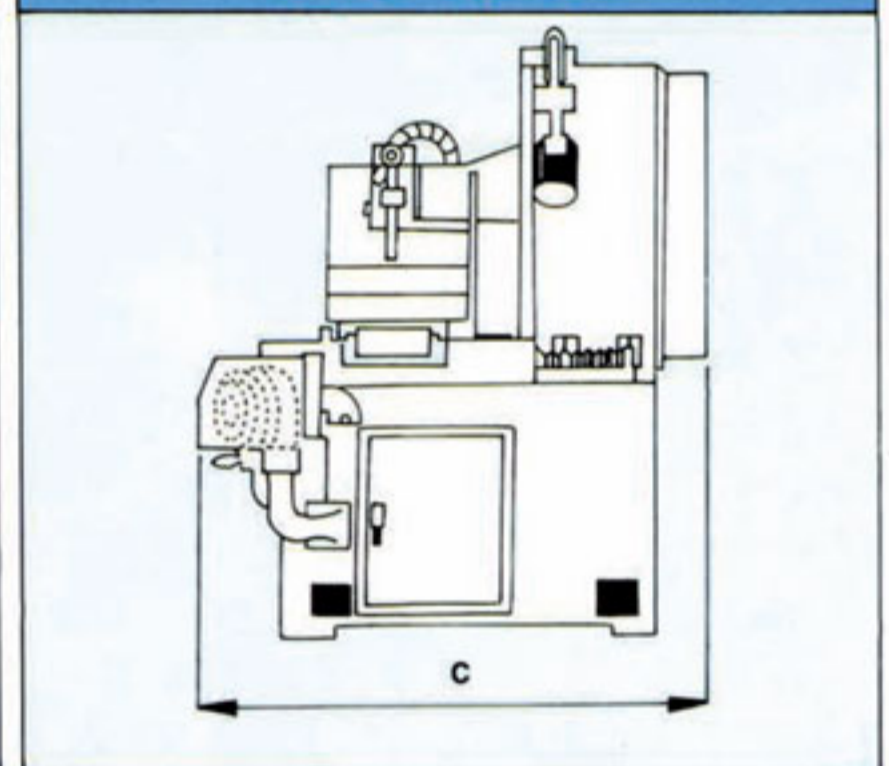
## GRINDING WHEEL



## FRONT VIEWS



## SIDE VIEWS



YSG - m/m	A	B	C	D	E	F
1224	2700	2050	1840	2760	2075	50
1228	2895	2050	1840	3050	2075	50
1632	3340	2050	2114	3400	2350	50
1636	3440	2050	2114	3500	2350	50
1640	3540	2050	2114	3600	2350	50

## STANDARD ACCESSORIES

- |                                                 |                                                                |
|-------------------------------------------------|----------------------------------------------------------------|
| (1) Grinding wheel.....1pc                      | (9)Eyebolts.....4pcs                                           |
| (2)Grinding wheel adaptor & puller.....1set     | (10)T-Nut & screws.....2sets                                   |
| (3)Arbor for wheel balancing.....1pc            | (11)Necessary tools with a tool box.....1set                   |
| (4)Diamond tool(1/4 carat) with a base.....1set | (12)Lubrication oil(4 liter).....2cans                         |
| (5)Dust sweeping plate.....1pc                  | (13)Plug(5/8').....4pcs                                        |
| (6)Working lamp.....1set                        | (14)Table splash guard.....1set                                |
| (7)Leveling plates.....4pcs                     | (15)Operation manual and inspection certificate.....1copy each |
| (8)Leveling bolts with nuts.....4pcs            | (16)Spare paint.....1can                                       |