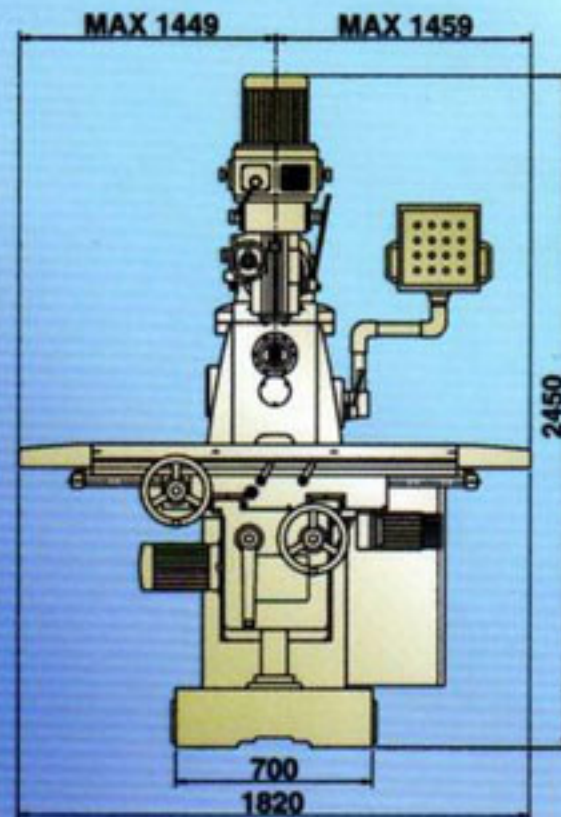
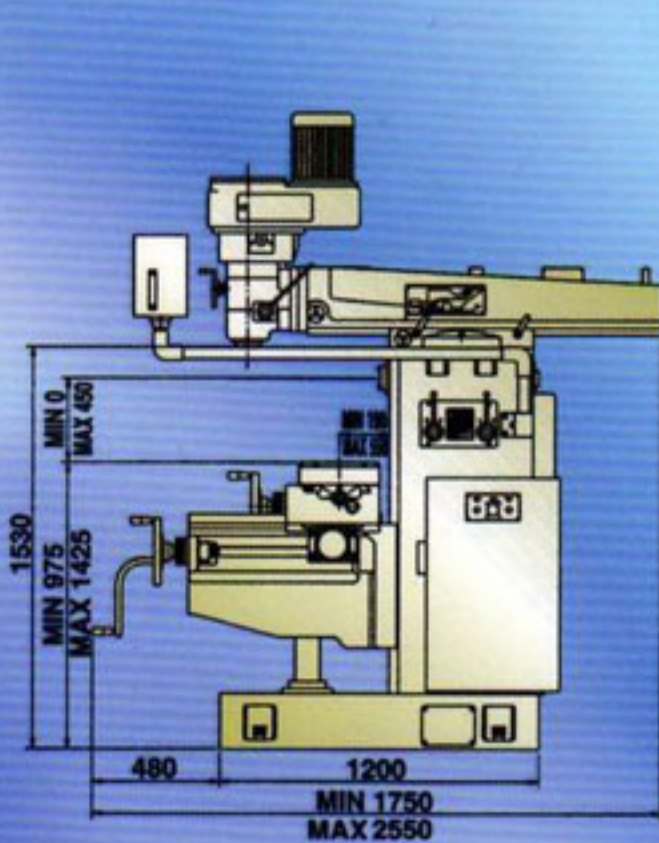


特性

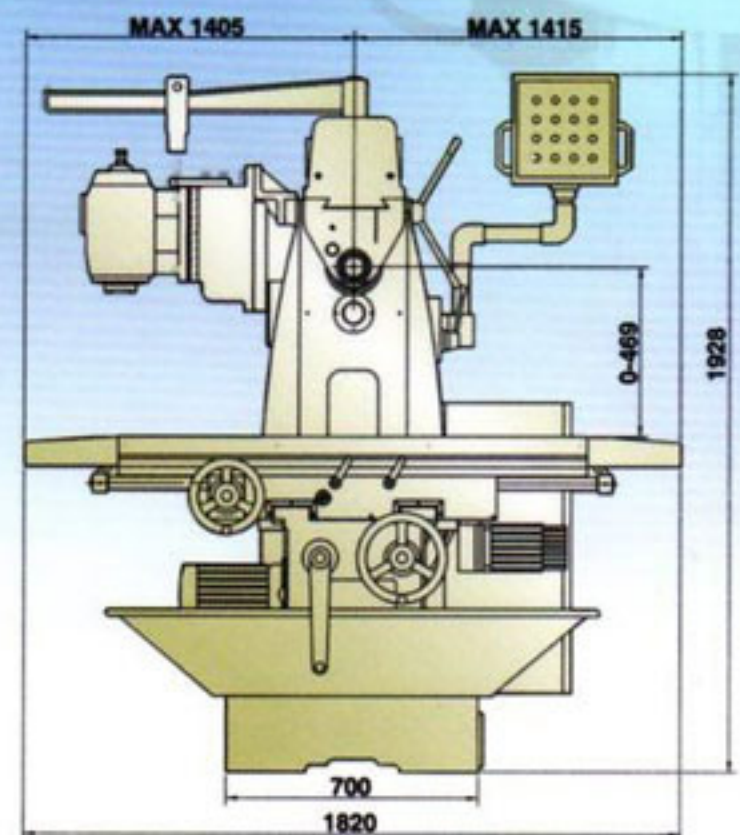
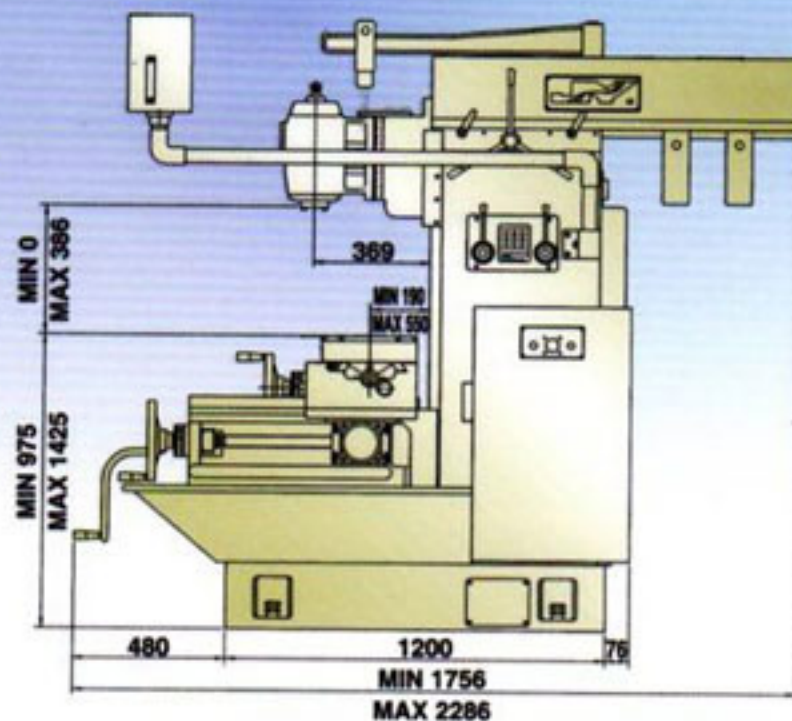
- 機身採用FC30高級鑄鐵製成，經調質處理，確保長期精度。
- 工作台採用FC30高級鑄鐵製成，經調質硬化處理，及精密研磨。
- 主軸為SCM-21合金鋼精密加工而成。經調質滲碳處理，重切削穩定性優異。
- X,Y軸採用AC伺服馬達驅動，動作順暢。
- X,Y軸滑道精密研磨，並貼附Turcite-B耐磨片。
- 升降座為電動快速升降。
- X,Y軸採用精密滾珠螺桿傳動。
- 強力立銑頭傳動齒輪，經熱處理硬化，精密研磨，耐磨耗，運轉噪音低。
- 採用自動注油器，可定時自動潤滑三軸滑道，螺桿，齒輪及軸承，確保高效率加工及增加壽命。
- 配備防濺水盤以防切削液外洩。
- 本機配有高壓切削液泵浦，切削除屑效果更佳。
- 配備石英工作燈。

FEATURES

- The machine column is manufactured from high quality cast iron FC-30, tempered for long term accuracy.
- FC-30 cast iron table is tempered, hardened and precision ground.
- The spindle is precision machined from SCM-21 alloy steel, tempered and carbon treated, ensuring maximum stability for heavy duty cutting.
- X and Y axes are driven by an AC servo motor for smooth traverse.
- X and Y axis slideways are precision ground, and coated with Turcite-B wear resistant media.
- The knee is power elevated and has rapid traverse function.
- X and Y axes employ precision ball screws.
- The drive gears in the powerful vertical head are hardened and precision ground for maximum wear resistance and low noise running.
- Equipped with an automatic lubricator for lubrication to 3-axis slideways, feed screws, gears and bearings, ensuring high working efficiency and long service life of parts.
- The coolant tray effectively prevents cutting fluid leakage.
- Employs high pressure coolant pump for efficient chip removing.
- Halogen work light.



JY-2T
JY-2HT
JY-2VHT



JY-2VH