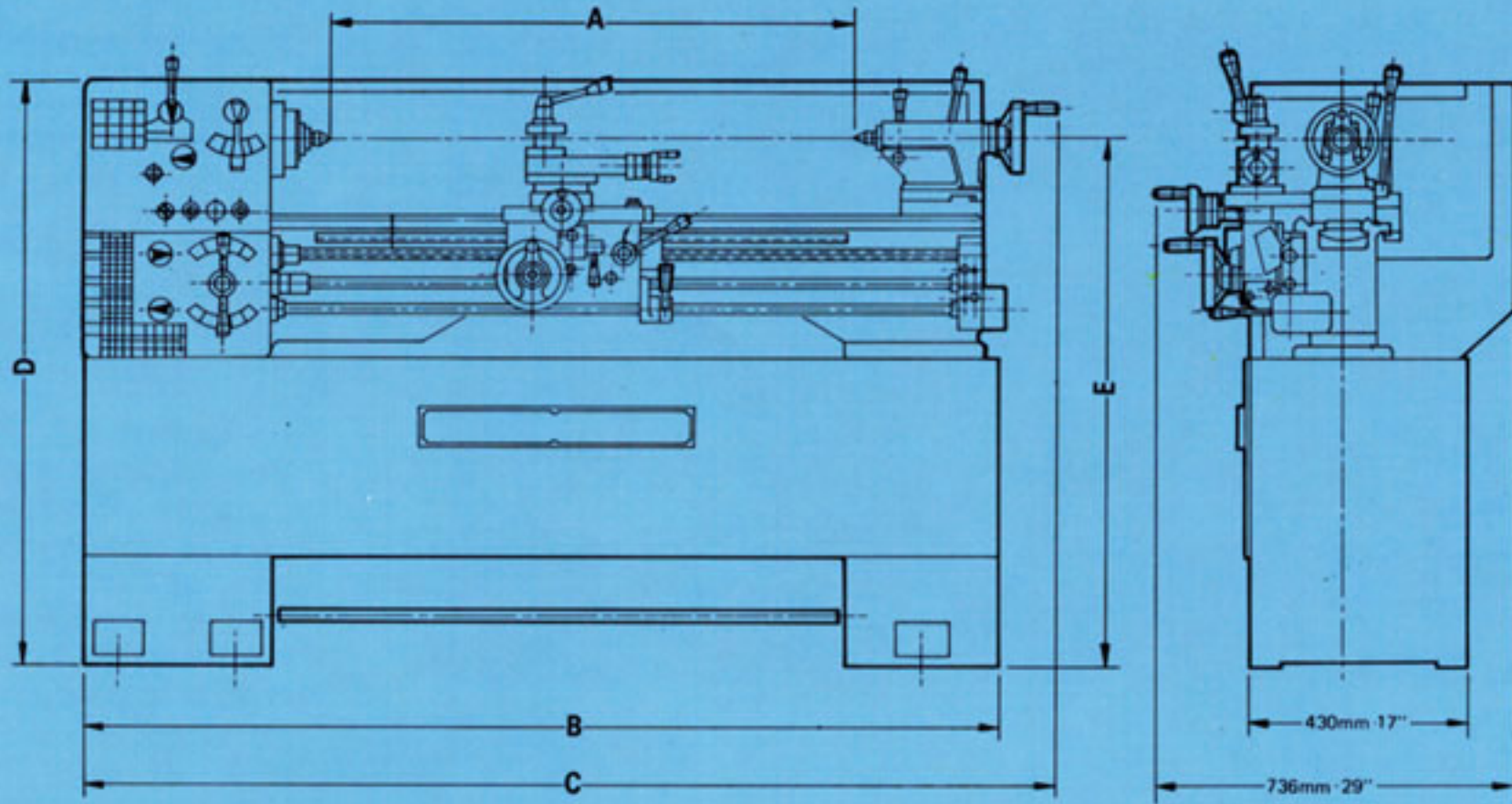


# 1340, 1330. 1440, 1430



SIZE TYPE	A	B	C	D	E
1340	1000mm 40in	1810mm 71-3/4"	1935mm 76-1/8"	1175mm 46-1/4"	1056mm 41-1/2"
1330	750mm 30in	1560mm 61-3/8"	1685mm 66-3/8"	1175mm 46-1/4"	1056mm 41-1/2"
1440	1000mm 40in	1810mm 71-3/4"	1935mm 76-1/8"	1200mm 47-1/4"	1082mm 42-1/2"
1430	750mm 30in	1560mm 61-3/8"	1685mm 66-3/8"	1200mm 47-1/4"	1082mm 42-1/2"

## SPECIFICATIONS:

DESCRIPTION	INCH SYSTEM				METRIC SYSTEM			
	1340	1330	1440	1430	1340	1330	1440	1430
MODEL	1340	1330	1440	1430	1340	1330	1440	1430
SWING OVER BED	13"	13"	14"	14"	330	330	356	356
SWING OVER CROSS SLIDE	7-5/8"	7-5/8"	8-5/8"	8-5/8"	195	195	220	220
DISTANCE BETWEEN CENTERS	40"	30"	40"	30"	1000	750	1000	750
SWING OVER GAP	19-1/4"	19-1/4"	20-1/4"	20-1/4"	490	490	515	515
WIDTH OF BED	7-1/2"	7-1/2"	7-1/2"	7-1/2"	190	190	190	190
NUMBERED OF SPINDLE SPEEDS	12				12			
RANGE OF SPINDLE SPEEDS	50-2000 RPM				50-2000 RPM			
HOLE THROUGH SPINDLE	1-1/2"				38			
SPINDLE NOSE	D1-4 Camlock				D1-4 Camlock			
TAPER OF SPINDLE BORE	M.T. No. 5				M.T. No. 5			
TAILSTOCK QUILL TAPER	M.T. No. 3				M.T. No. 3			
TAILSTOCK QUILL TRAVEL	4-3/8"				110			
CROSS SLIDE TRAVEL	6-1/2"	6-1/2"	6-1/2"	6-1/2"	165	165	165	165
COMPOUND REST TRAVEL	3-3/8"	3-3/8"	3-1/2"	3-1/2"	85	85	90	90
METRIC THREADS	(32) 0.4 – 7.0 MM				(32) 0.4 – 7.0 MM			
INCH THREADS	(32) 4 – 56 TPI				(32) 4 – 56 TPI			
MODULE PITCHES	(27) 0.2 – 3.5 MOD.				(32) 0.4 – 7.0 MOD.			
DIAMETRAL PITCHES	(32) 8 – 120 DP				(32) 8 – 120 DP			
LONGITUDINAL FEEDS	(40) 0.0033 – 0.0736 in/rev.				(40) 0.067 – 1.485 mm/rev.			
CROSS FEEDS	(40) 0.0011 – 0.0245 in/rev				(40) 0.033 – 0.742 mm/rev.			
MACHINE NET WEIGHT	1540 lb	1430 lb	1650 lb	1540 lb	700 kg	650 kg	750 kg	700 kg
GROSS WEIGHT	1810 lb	1700 lb	1936 lb	1826 lb	820 kg	770 kg	880 kg	830 kg
CRATE DIMENSION L.xW.xH	77"x30"x57"	67"x30"x57"	77"x30"x58"	67"x30"x58"	77"x30"x57"	67"x30"x57"	77"x30"x58"	67"x30"x58"