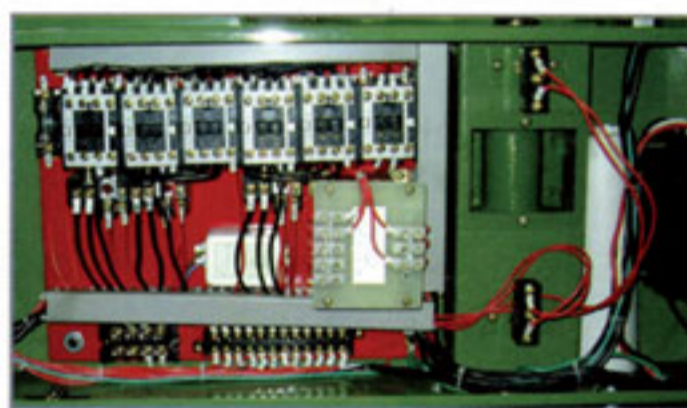
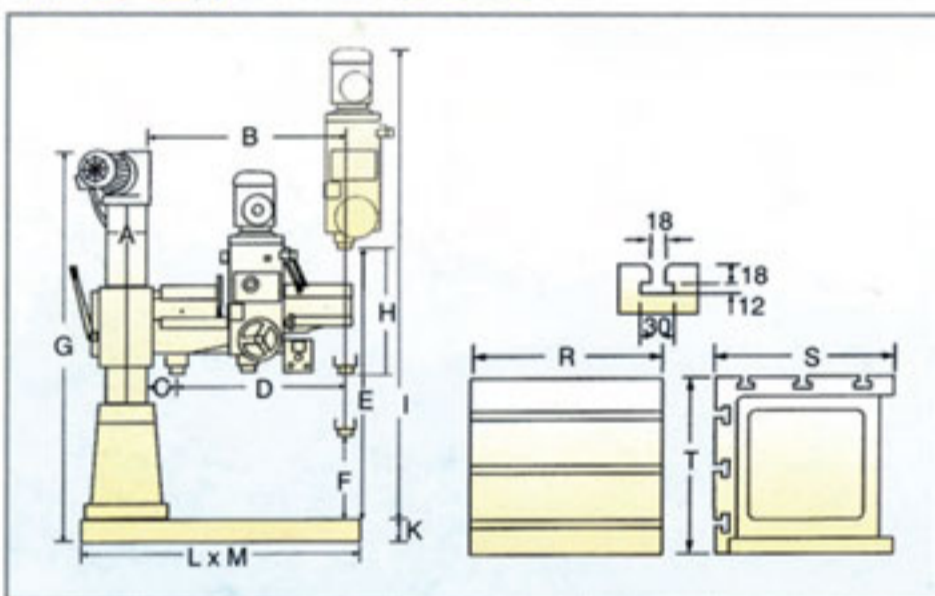


規格/SPECIFICATIONS

型式 MODEL	WJR-812DS	WJR-1112S
鑽孔能力 Drilling Capacity	鑄鐵 Cast Iron 鋼 Steel	鑄鐵 Cast Iron 鋼 Steel
攻牙能力 Tapping Capacity	鑄鐵 Cast Iron 鋼 Steel	鑄鐵 Cast Iron 鋼 Steel
搪孔能力 Boring Capacity	鑄鐵 Cast Iron 鋼 Steel	鑄鐵 Cast Iron 鋼 Steel
主軸行程 Spindle Stroke	200mm (8")	250mm (10")
主軸孔錐度 Taper of Spindle	MT#4	MT#4
主軸轉速 Spindle Speed	(50HZ) 75/136/254/368/681/1250 Rpm (60HZ) 88/163/305/441/617/1500 Rpm	(44-1580)x12
主軸進給 Spindle feeds	0.075/0.135/0.225mm (0.003"/0.005"/0.009")	0.05/0.09/0.15mm (0.0020/0.0035/0.0060")
機柱直徑 Column Dia.	200mm (8") (A)	260mm (20-3/8")
機柱面至主軸中心最大距離 Max. dist. from column surface to spindle center	830mm (32-3/4") (B)	1130mm (44-1/2")
機柱面至主軸中心最小距離 Min. dist. from column surface to spindle center	210mm (8-1/4") (C)	260mm (10-1/4")
主軸左、右行程 Spindle Longitudinal Travel	620mm (24-7/16") (D)	885mm (34-7/8")
主軸端至底座最大距離 Max. Dist. From Spindle to Base	1070mm (42-1/8") (E)	1280mm (50-7/16")
主軸端至底座最小距離 Min. Dist From Spindle to Base	305mm (12") (F)	700-250-430mm
機柱全高 Total Height of column	1950mm (76-1/8") (G)	2160mm (85")
旋臂上、下行程 Arm vertical Travel	535mm (21") (H)	600mm (24")
主軸箱上升最大高度 Max. Elevating Height	2030mm (79-15/16") (I)	2530mm (99-5/8")
底座尺寸 Dimension of Base	1360x650x150mm (L x M x K)	1725x715x180mm (L x M x K)
工作台尺寸 Working table Size	700x420x400mm	700x420x400mm
主軸動力 Spindle Motor	2HP	3HP (4P / 8P)
升降動力 Elevating Motor	1HP	1HP
冷卻泵馬達 Coolant Pump Motor	1/8HP	1/8HP
淨重/毛重 N.W./G.W.	1280kg/1500kg	1860kg/2000kg
裝箱尺寸 Measurement	1500x762x2160mm (59"x30"x85")	1900x870x2270mm (75"x34-1/2"x89.4")

● 本公司保有修改規格之權利，如有變更，恕不另行通知。 ● We reserve the right to modify the specifications. If they are subjected to change, without prior notice.

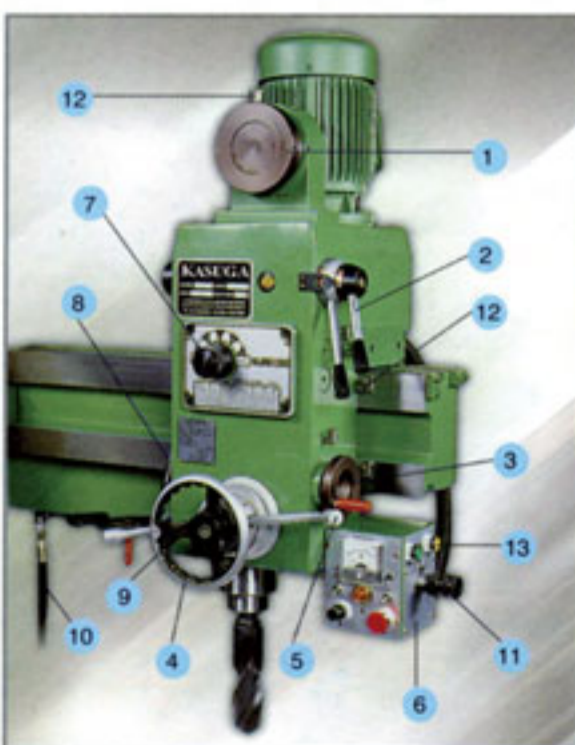
尺寸圖 / DIMENSIONS



● 密封式電氣控制箱，防塵、防油污，並附三組馬達過載保護器，安全性高。
Enclosed electrical controlling box, dust-proof & dirty oil-proof. Especially which equipped with three sets motor over-load protector, high safety.



內柱 (適用於WJR-1112S)
內機柱以十字肋骨的構造提供剛強的機身
INNER COLUMN (USE: WJR-1112S)
The inner column is cross lbs reinforced offers maximum rigidity.



1. 主軸平衡彈簧座
2. 變速桿
3. 自動進給手輪
4. 主軸箱移動手輪
5. 進刀把手
6. 操作控制箱
7. 自動進刀變速旋鈕
8. 主軸箱固定把手
9. 自動進刀深度設定桿
10. 冷卻油管
11. 主軸正逆轉開關
12. 注油杯
13. 升降押扣開關

1. Main-spindle balancing post
2. Shift lever
3. Auto feeding handwheel
4. Spindle box moving handwheel
5. Feeding handle
6. Operating control box
7. Auto feeding speed selecting knob
8. Spindle box locked handle
9. Auto feeding depth setting lever
10. Flexible tube
11. Rotating selecting switch
12. Lubricating oil cup
13. Elevation push button



林寶機械貿易私人有限公司
LIM POH MACHINERY TRADING PTE LTD
NO. 111, UBI AVE 4, CIVIC TERRACE WAREHOUSE SINGAPORE 408761.
E-mail: enquiry@limpoh.com Website: http://www.limpoh.com
TEL: 6846 1138 FAX: 6846 2832 H/P: 9788 0138