

MODEL 型式	TS-125K	TS-200K	TS-300K	TS-350K
Ratio of indexing 分度比	1:90	1:80	1:80	1:80
Max. travel of the ram(stroke) 衝程	125(5")	200(8")	300(12")	350(14")
No. of stroke per minute(60HZ) 速度(次/分, 60HZ)	34-71-105-138-162	28-50-80-105	28-50-80-105	28-50-80-105
No. of stroke per minute(50HZ) 速度(次/分, 50HZ)	28-59-87-115-135	23-42-66-87	23-42-66-87	23-42-66-87
Vertical travel of ram 鉋頭垂直調整距離	200(8")	220(8.5")	320(12.5")	320(12.5")
Swivel angle of head 鉋頭調整角度	30°	30°	30°	30°
Distance between end of ram guideway and work table 鉋頭導路下端至工作台距離 (A)	250(10")	290(11.5")	365(14")	470(18.5")
Distance between tooling center and column surface 刀桿中心至機身面距離 (喉深) (B)	360(14")	380(15")	510(20")	560(22")
Diameter of working table 工作台直徑	Ø200 (Ø8")	Ø400 (Ø16")	Ø560 (Ø22")	Ø560 (Ø22")
Longitudinal travel of working table 工作台左右移動距離 (X)	400(16")	300(12")	460(18")	460(18")
Cross travel of working table 工作台前後移動距離 (Y)	300(12")	260(10")	500(20")	500(20")
Driving motor 驅動馬達	3/4HP-3Ø6P	1HP-3Ø-6P	3HP-3Ø-4P	3HP-3Ø-4P
Net weight 淨重	500KGS	900KGS	1500KGS	2000KGS
Packing dimension 包裝尺寸	1050x1050x1150mm (42"x42"x45")	1200x750x1570mm (47"x30"x62")	1900x1100x2000mm (75"x44"x79")	1900x1100x2100mm (75"x44"x83")

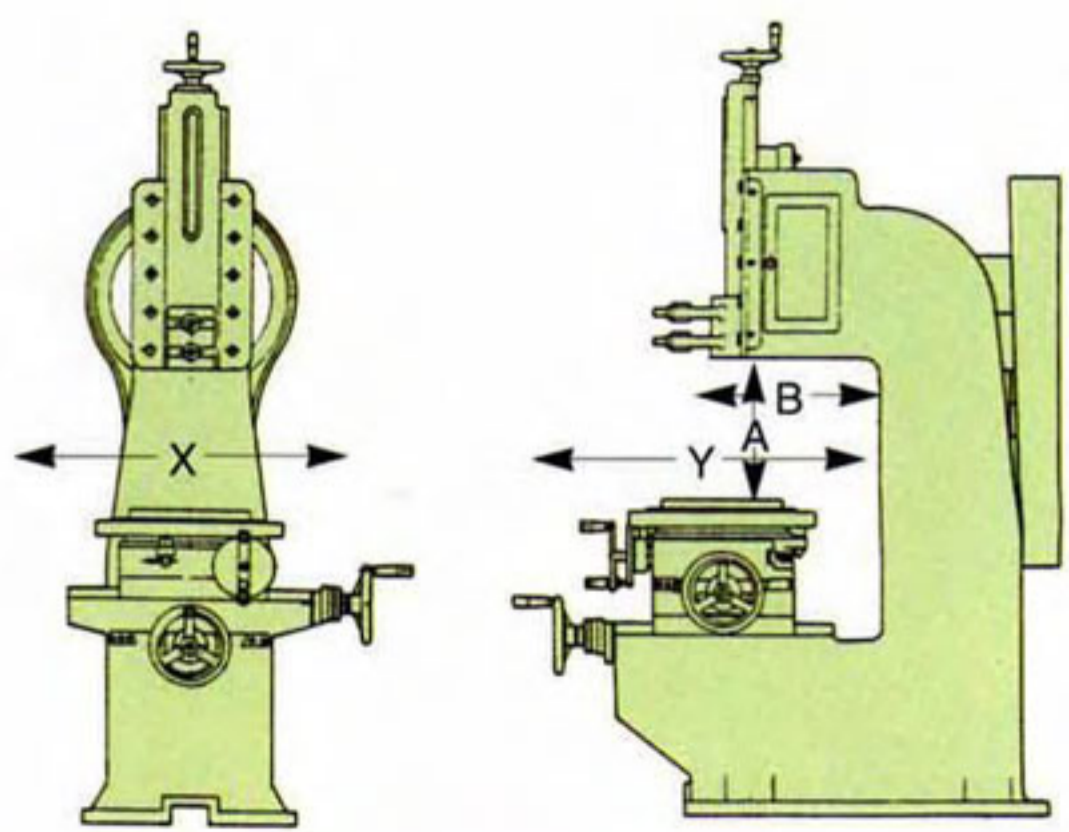
※ All specifications and designs are subject to change without notice. 本公司對產品不斷研究改良，上述規格及設計如有變更，恕不另行通知。

Standard accessories (標準配件)

- 1. Lubrication system (注油器)
- 2. Rotary table (旋轉工作台)
- 3. Tool box & tools (工具箱)

Optional accessories (選用配件)

- 1. Slotting bar (刀桿)
- 2. 3 jaws scroll chuck (三爪夾頭)
- 3. Clamping kits set (夾持套)
- 4. Halogen lamp (石英燈)
- 5. CE standard (歐規CE護罩)



林寶機械貿易私人有限公司
LIM POH MACHINERY TRADING PTE LTD

NO. 111, UBI AVE 4, CIVIC TERRACE WAREHOUSE, SINGAPORE 408761.
 E-mail: enquiry@limpoh.com Website: http://www.limpoh.com
 TEL: 6846 1138 FAX: 6841 2832
 GST Reg.No. M2-0067812-5 Business Reg.No. 198404054E